

MEDICAL

Automatic Doors



HOSPITALS . CLINICS . LABORATORIES

Sliding door with Controlled Leakage Flow

DIVA LC Clean

Leakage flow controlled with air pressure

Ergonomy linked to cleaning and decontamination requirements

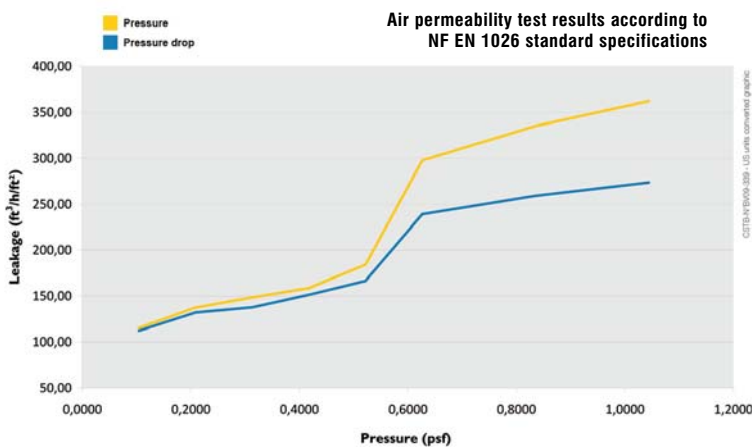
Sound attenuation and isolation down to 30db⁽¹⁾

⁽¹⁾ Measurements according to the regulation NF-S 31-057 "Checking the acoustical quality of buildings" on a complete door in a real situation taken in its entirety with wall and air extraction trapdoor, "STADIP 44.1 Silence" glazing.



DIVA LC Clean offers specific technical solutions, while providing an enormous usage comfort:

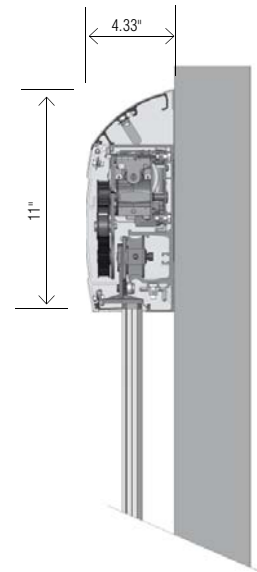
- People transporting sensitive materials or pushing a carriage appreciate a wide automatic opening.
- Doors opening without contact or handle manipulations allow respecting stringent hygienic rules.
- Adjusting leaves opening and closing speeds limits contamination exchanges between two areas.



The leaf's tightness is ensured by special rubber seals which form a true barrier against the passage of air.

For a rigorous frame tightness and a perfect finish, a new jamb profile equipped with an additional flange covers the stainless steel door frames on the horizontal and vertical parts under the casing.

Ergonomic covers with smooth, rounded shapes prevent dust from accumulating and facilitate cleaning and decontamination.



MECHANICS

Installation	Surface Applied	
Leaf structure	1 or 2 sliding leaves G25(1") profiles	
Casing (H x D)	11" x 4.3"	

PERFORMANCES

	Optimal	Max ⁽¹⁾
Max. leaf weight	1 x 231 lbs	1 x 264 lbs
	2 x 187 lbs	2 x 264 lbs
Passage width min/max		
- 1 leaf	31.5" / 59"	
- 2 leaves	31.5" / 94"	
Passage height max*	98.4"	

ELECTRICAL ENVIRONMENT

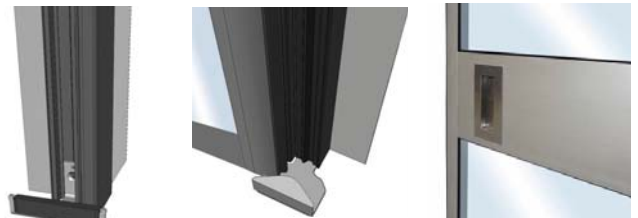
Supply	120 VAC, 60Hz
Absorbed power max./average	165W / 40W
Motor voltage / Emergency battery	30 Vcc / 12 Vcc (12W)

STANDARDS

NF EN 1026, CE, EN 61000-6-3, EN 61000-6-2, EN60335-1, EN 13849-1

⁽¹⁾ Reduced performances

* Special projects, please contact us.



EQUIPMENT

- White polyurethane belt (limits dust accumulation)
- White seals on jamb profile & upper cover

OPTIONS

- Door leaf mid rail 5.9"
- Detection/Safety pack
- Flush interior handle
- RAL lacquering, AS1

Hermetic Door

HDS CLEAN

Hermetic closure against air, dust, chemical or bacteriological attacks

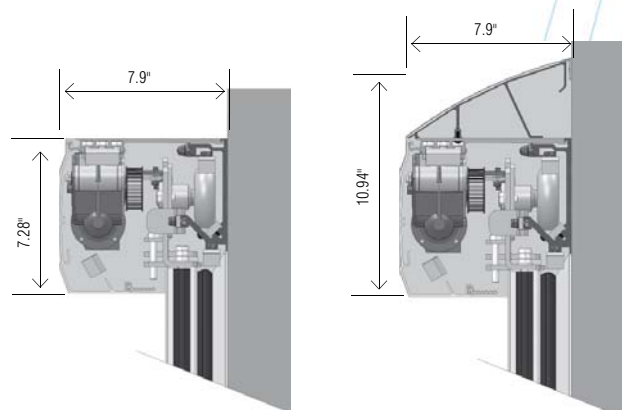
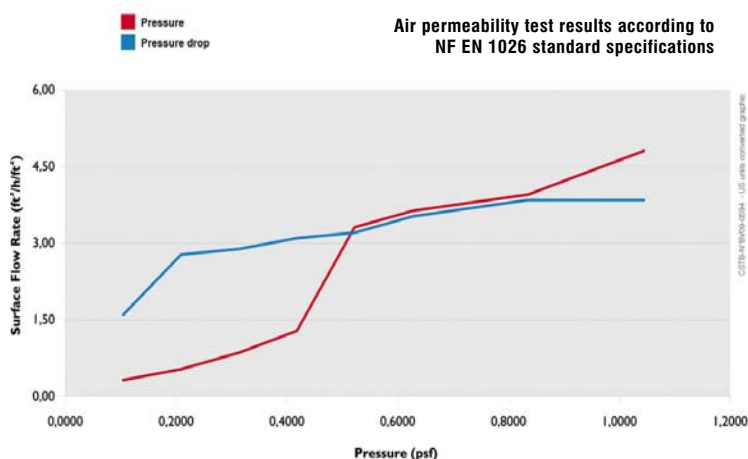
Optimal operation safety

Wide leaf structure choice

Sound attenuation and isolation

HDS Clean

Dedicated to places subjected to various attacks, the hermetic door ensures an optimal security and brings a very appreciated comfort. Its typical assets make it an exceptional door that guarantees safety, performance and ergonomics.



As a real defence barrier against outside attacks, a specific rubber seal ensures the airtightness of the leaf.

The door running is fully automatic. It is managed by the operator that lifts up the leaf and allows it to move smoothly.

The running rail is in the operator ensuring a safe and silent moving without any shake.

MECHANICS

Installation	Surface Applied
Casing (H x D)	10.94" x 7.9"
	without upper cover 7.28" x 7.9"

PERFORMANCES

Max. leaf weight	1 x 330 lbs / 2 x 220 lbs
Passage width min/max*	
- 1 leaf	27.5" / 70.8"
- 2 leaves	39.3" / 94.4"
Passage height max*	98.4"

ELECTRICAL ENVIRONMENT

Supply	120 VAC, 60Hz
Absorbed power max./average	500W / 50W
Motor voltage / Emergency battery	40 Vcc / 12 Vcc (12W)

STANDARDS

NF EN 1026, CE, EN 61000-6-3, EN 61000-6-2, EN60335-1, EN 13849-1

* Special projects, please contact us.

OPTIONS

Leaf frame & wall frame

Aluminium AS1 or RAL

Leaf filling finish

Laminated wood 0,03" (HPL)

Stainless steel

Natural satin, RAL lacquering

Melamine

Insulated glazing

Safety & Detection

Infrared curtain

Infrared beam

Activation devices

Switch without contact

Push button (by elbow, by foot)

Remote control

Push & Go

Equipment

Flushing windows

Manual operating handle

Hospital Hermetic Swing door

ISO H

ISO H



Hermetic closure against air, dust, chemical or bacteriological attacks

Optimal operation safety

Wide leaf structure choice

Sound attenuation and isolation

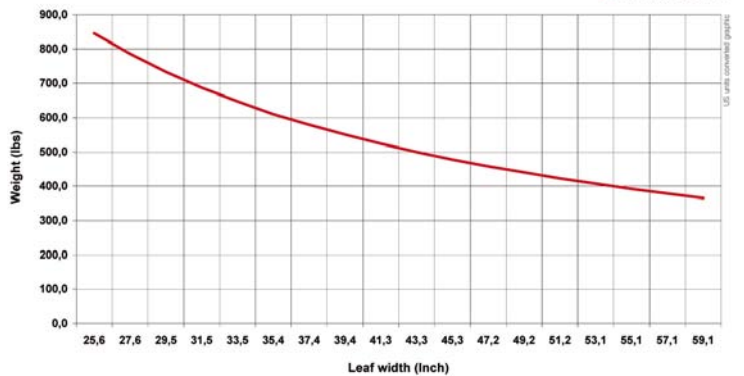
The ISO H door allows automation of any type of swing door. It is intended for areas where hygiene rules have to be observed and where it is not appropriate to touch door handles.

Associated with an hermetic leaf ISO H provides a performant solution for all hospital areas such as disinfection rooms, sterile and clean rooms or other places where unpolluted clean spaces are required.

Designed for intensive use, it is suitable for all places having a heavy traffic.



Operator capacity



MECHANICS

Assembly	Horizontal pushing
Casing (L x H x D)	23.6" x 3.9" x 5.1"

PERFORMANCES

Max opening angle	120°
Max weight of door (L39.3")	550 lbs
Passage width min/max	
- 1 leaf	25.5" / 59"
- 2 leaves	51.1" / 118.1"

ELECTRICAL ENVIRONMENT

Supply	120 VAC, 60Hz
Max. consumption	<120W

STANDARDS

CE, EN 61000-6-3, EN 61000-6-2, EN60335-1, EN 13849-1

* Special projects, please contact us.

OPTIONS

Leaf frame

Aluminium AS1 or RAL

Wall frame

Stainless steel

Leaf filling finish

Laminated wood 0,03" (HPL)

Stainless steel

Natural satin, RAL lacquering

Lead

Insulated glazing

Safety & Detection

IR Curtain

Safety beam

Activation devices

Switch without contact

Push button (by elbow, by foot)

Equipment

Flushing windows

Master/Slave device

