

Features



MECHANICAL	DIVA	DIVA LC	TINA
Installation	Surface Applied / Between walls	Surface Applied / Between walls	Surface Applied / Between walls
Structure	Aluminium	Aluminium	Aluminium
Reinforced casing (H x D)	7.8" x 6.9"	8.2" x 5.5"	8.3" x 4"
Self-supporting casing up to	196.8"	196.8"	Surface Applied only
Min/max passage width			
- 1 leaf	29.5" / 47.2"	29.5" / 47.2"	29.5" / 47.2"
- 2 leaves	35.4" / 94.5"	35.4" / 94.5"	35.4" / 94.5"
Max. passage height	110.2"	110.2"	110.2"
PERFORMANCE*			
Max. weight of leaves	1x220 lbs • 2x220 lbs	1x220 lbs • 2x187.2 lbs	1x220 lbs • 2x198.2 lbs

* Detail on operator performances : see Diva/Diva LC/Tina documentation

Equipment / Options

Mechanical breakout device in compliance with CO48	○
Automatic detection door opening in breakout mode	●
Single IR barrier	●
Double IR barrier / IR curtain	○
Electrical locking	○
Outside or inside emergency manual unlocking	○
Natural satin finishing, RAL lacquering	●
Special lacquering or coating (Stainless steel), Anodised colour*	○

• Series ○ Options

* Special projects, please contact us

UNIVERSAL FULL BREAKOUT LEAVES

TINA - DIVA LC - DIVA



- Optimal safe operation
- New profile design
- Comply with safety regulations (CO48)

The new full breakout automatic door has been developed to meet all market requirements in term of security in public resorts. It offers more flexibility and more comfort of use.

Thanks to its daring look, it can be installed with all our operator types: Tina, Diva LC et Diva...

Combining technical performance and safe design, this new range is perfect for all public resorts and heavy traffic areas: shopping centres, airports, stations...



PORTALP USA INC.



UNIVERSAL FULL BREAKOUT LEAVES

In normal operation, the Full breakout door behaves like a traditional sliding automatic door. In breakout operation, sliding and semi-fixed leaves swing on the side and provide largest possible opening.

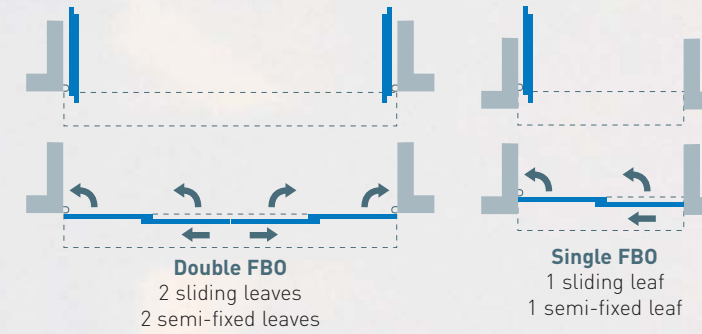


FBO - Sliding door opening



FBO - Breakout opening

In case of emergency, panic stricken people open the door completely by simply pushing sliding and semi-fixed leaves. The full breakout door can also be used as emergency door but also to have a largest possible opening when bulky objects must be moved out (cars, furniture...).

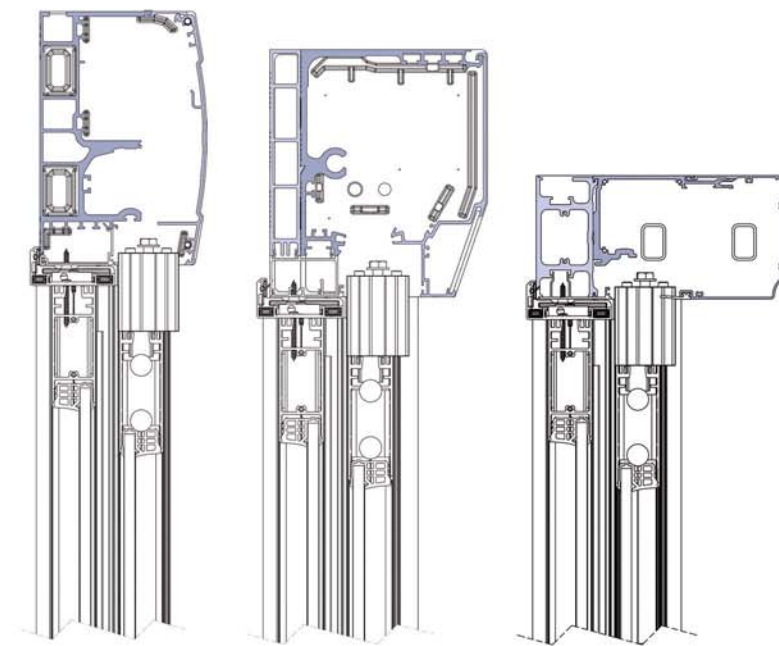
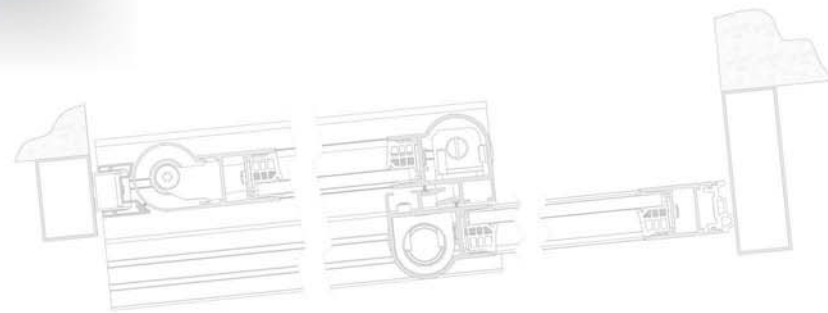


Typical applications

- EMERGENCY EXITS
- MANUAL BREAKOUT OPENING
- PASSAGE FOR BULKY OBJECTS



- Door frames are made of aluminium G38 profiles. This range of profiles allows to install a mechanical key lock with European cylinder type.
- Frames of sliding and semi-fixed leaves have a new rounded design to give a soft and protective perception for the user.
- Sliding leaves swinging is made thanks to scissors profiles on the upper part. They allow a progressive and effortless movement on the whole closing and opening assembly. The clever assembling of these scissors profiles ensures excellent tightness under operator.



DIVA LC - FBO

DIVA - FBO

TINA - FBO

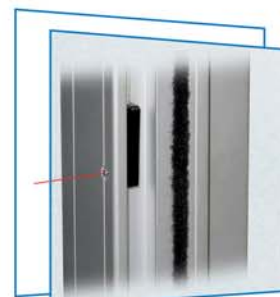
- The semi-fixed leaf is fitted with a covering profile on the upper part. This profile ensures tightness with efficient joint against the beam. The lower part is equipped with a brush joint.
- Back of jambs is protected by a cylindrical closing profile. The cylindrical receiving profile has been also conceived to receive this jamb and avoid any pinching when handling the doors.
- In normal operation, stainless steel balls on springs locking themselves in position hold semi-fixed leaves (upper and lower part). This vertically adjustable device blocks leaves and allow them at the same time to be handled for easy opening and closing.
- A positive safety cell barrier detects any opening of leaves in « Breakout » mode, then « Free » mode is activated. Leaves can be handled manually.



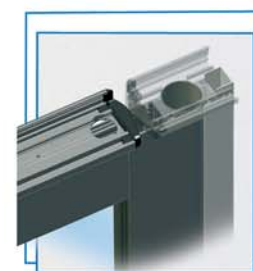
Scissors profiles sliding leaves



Adjustment device scissors profiles



Detector on passage by IR cell



Profiles against finger pinching



Low holding semi-fixed leaf



Ball adjustment +/- 8 mm



Covering profile upper part